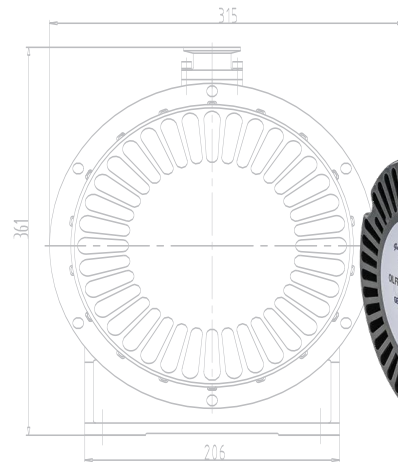
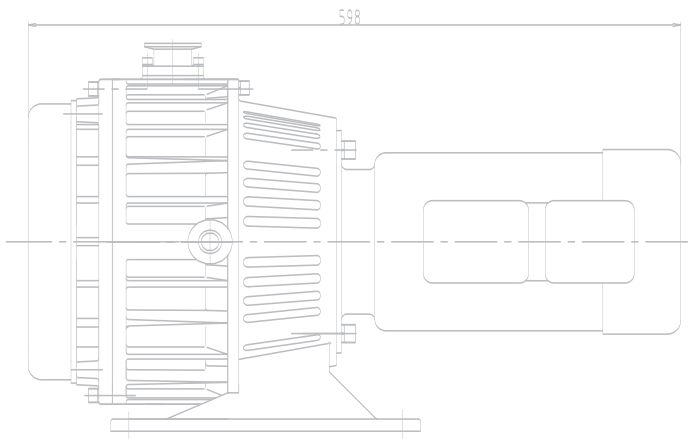


Premium oil free scroll vacuum pump manufacturer



- GWSP Oil free Scroll Vacuum Pump
- GWSPS Oil free Scroll Vacuum Pump
- GWMS Oil free Ultrahigh Vacuum Unit
- GWSPC Oil free Scroll Vacuum Compressor
- GWT Foreline Filter
- GWS Exhaust Silencer
- GWMMK Major Maintenance Kit
- GWTSK Tip Seal Kit

GEOWELL VACUUM CO., LTD.
www.geowellscroll.com



GWSP Oil free Scroll Vacuum Pump



Working principle

GWSP oil free scroll vacuum pump is constructed with pump head assembly, crank pin assembly, bracket assembly, air flush assembly, and exhaust valve assembly. Two spiral cylinders, one offset and orbiting against the other fixed with an offset of 180° to form several crescent-shaped pockets of different sizes. By means of an eccentric drive, the orbiting scroll is made to orbit about the fixed scroll, reducing the volume of the pockets and compressing gas from outside towards the inside thereby pumping the gas from vacuum chamber.

Specifications

Model			GWSP75	GWSP150	GWSP300	GWSP600	GWSP1000	
Pumping Speed	50Hz	l/s	1.0	2.0	4.3	8.7	16.6	
		l/min	60.0	120.0	258.0	522.0	996.0	
		m ³ /h	3.6	7.2	15.5	31.3	59.8	
		cfm	2.2	4.3	9.3	18.7	35.8	
	60Hz	l/s	1.2	2.4	5.1	10.4	20.0	
		l/min	72.0	144.0	310.0	626.0	1195.0	
		m ³ /h	4.3	8.6	18.3	37.4	71.6	
		cfm	2.5	5.1	10.9	22.3	42.8	
Ultimate Pressure		Pa	8	6	2.6	1	1	
		mbar	8.0*10 ⁻²	6.0*10 ⁻²	2.6*10 ⁻²	1.0*10 ⁻²	1.0*10 ⁻²	
		Torr	6.0*10 ⁻²	4.5*10 ⁻²	1.9*10 ⁻²	7.5*10 ⁻³	7.5*10 ⁻³	
		psi	1.2*10 ⁻³	9.0*10 ⁻⁴	3.8*10 ⁻⁴	1.5*10 ⁻⁴	1.5*10 ⁻⁴	
Noise Level		dB(A)	57	57	60	61	63	
Leakage		mbar·l/s	1*10 ⁻⁷					
Max. Inlet/Exhaust Pressure		MPa	0.1 / 0.13					
Ambient Operation Temp.		°F	41~104					
Motor 1 phase	Power	kW	0.55	0.55	0.55	0.75	--	
	Voltage	V	110~115 (60Hz), 200~230 (50Hz)					--
	Speed	rpm	1425 (50Hz), 1725 (60Hz)					--
	Plug		North America, Europe, UK/Ireland, India					--
Motor 3 phase	Power	kW	0.55	0.55	0.55	0.75	1.50	
	Voltage	V	200~230 or 380~415 (50Hz), 200~230 or 460 (60Hz)					
	Speed	rpm	1425 (50Hz), 1725 (60Hz)					
Inlet/Exhaust Flange			KF25/KF16			KF40/KF16	KF40/KF16*2	
Dimensions	1 phase	mm	455*260*275	460*260*275	495*310*320	525*325*335	--	
	3 phase	mm	455*260*275	460*260*275	495*310*320	525*325*335	565*445*405	
Net Weight	1 phase	kg	21	22	29	36	--	
	3 phase	kg	20	21	28	31	54	
Cooling Type			Air cooled					
Others			With air flush					

Safety Precautions

The GWSP series oil free scroll vacuum pumps are suitable for clean processes only.

Do not pump toxic, explosive, flammable or corrosive substances or substances which contain chemicals, solvents or particles. GEOWELL will not perform maintenance work on pumps which have used special gases or other hazardous substances.

Be sure the inlet gas temperature must be lower than 122 °F.

GWSP Oil free Scroll Vacuum Pump

Features & Benefits

- No oil clean vacuum**
No oil back-diffusion, no oil mist exhaust, provide clean vacuum environment
- Wide product lineup**
Pumping speed covers 3~60 m³/h, limited vacuum level 1~8 Pa
- Suitable for all type of power supply around the world**
110/220/380/460V, 50/60Hz for choose
- Low vibration, low noise**
57~63 dB(A), smooth operation
- High efficiency, ease of maintenance**
No water cooled, no oil lubricated, no daily maintenance

Applications

Semiconductor industry

- Vacuum sputtering machine.
- IC plasma cleaning machine.
- IC plasma polishing machine.
- IC packaging machine.
- IC transmission chamber.

Photoelectric industry

- LED vacuum annealing furnace.
- Load lock/transfer chambers.
- Glove box.
- LED packaging machine.
- Liquid crystal injection and packaging.

Material industry

- Vacuum annealing furnace.
- Vacuum diffusion oven.
- 3D metal printing.
- Single crystal growth furnace.
- Microwave cleaning and microwave drying machine.
- E-beam/Laser melting.
- Vacuum degassing. Vacuum gas substitution.

Food and drug industry

- Freezing dry. Vacuum storage.

Medical equipment

- Low temperature plasma sterilizer.
- Vacuum storage.
- Dental equipment.

Energy industry

- SF6 Gas recovery machine.
- Lithium battery drying and packaging machine.

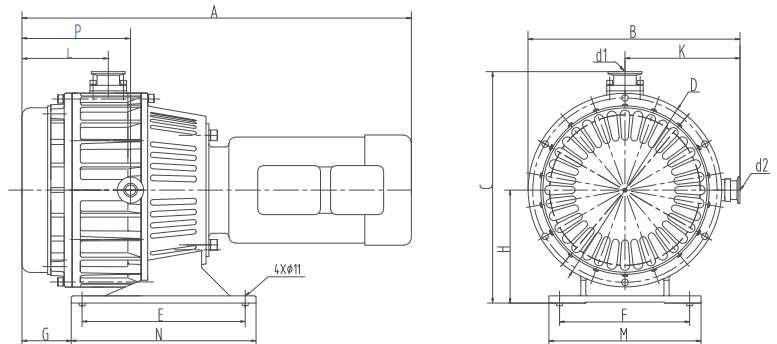
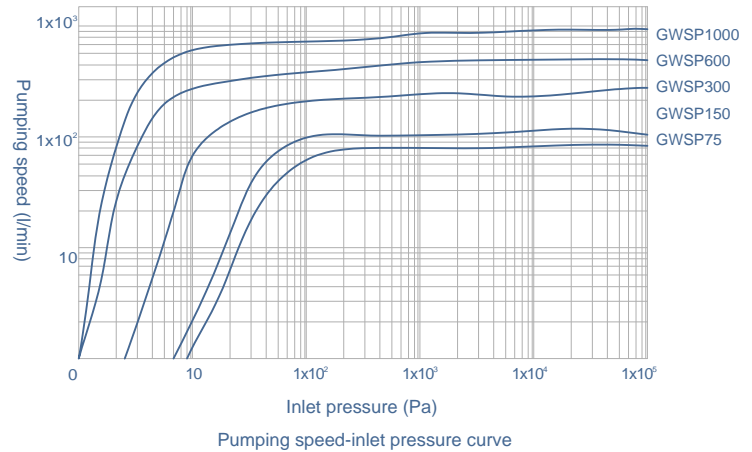
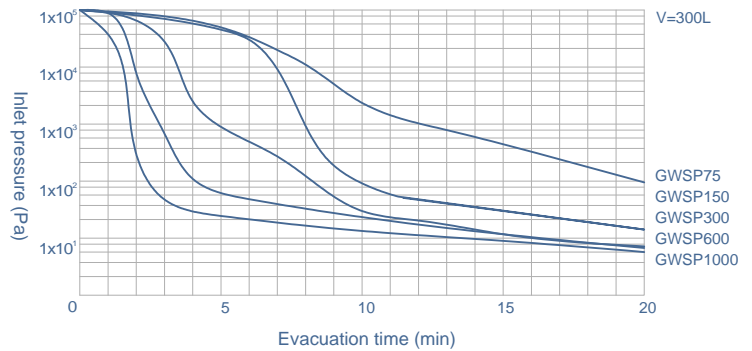
Analyzing instrument and device

- Spectroscopy/scanning electron microscopy
- Space environment simulation machine
- Helium Leak detector
- Mass spectrometer
- Cryopump regeneration
- Accelerators/synchrotrons

Vacuum equipment

- Oil free ultrahigh vacuum unit
- Oil free vacuum unit

Performance Curves



Dimensions

	A	B	C	D	E	F	G	H	K	L	M	N	P	d1	d2
GWSP75	455	260	275	210	210	115	80	130	140	100	155	250	55	KF25	KF16
GWSP150	460	260	275	210	210	115	80	130	140	105	155	250	130	KF25	KF16
GWSP300	495	310	320	260	253	160	90	160	160	115	190	290	150	KF25	KF16
GWSP600	525	325	335	290	253	160	95	170	180	125	205	290	160	KF40	KF16
GWSP1000	565	445	405	335	267	185	120	195	190	135	220	305	120/65	KF40	KF16*2

GWSPS Oil free Scroll Vacuum Pump



Working principle

GWSPS oil free scroll vacuum pump is constructed with pump head assembly, crank pin assembly, bracket assembly, air flush assembly, and exhaust valve assembly. Two spiral cylinders, one offset and orbiting against the other fixed with an offset of 180° to form several crescent-shaped pockets of different sizes. By means of an eccentric drive, the orbiting scroll is made to orbit about the fixed scroll, reducing the volume of the pockets and compressing gas from outside towards the inside thereby pumping the gas from vacuum chamber.

Specifications

Model			GWSPS75	GWSPS150	GWSPS300	GWSPS500	GWSPS900
Pumping Speed	50Hz	l/s	1.0	2.6	4.4	6.7	11.6
		l/min	60.0	156.0	264.0	402.0	693.0
		m ³ /h	3.6	9.4	15.8	24.0	41.6
		cfm	2.2	5.7	8.8	14.7	24.6
	60Hz	l/s	1.2	3.1	5.3	8.1	13.9
		l/min	72.0	187.0	317.0	482.0	831.6
		m ³ /h	4.2	11.1	18.9	28.8	50.0
		cfm	2.4	6.8	10.6	17.6	30.0
Ultimate Pressure		Pa	15	10	8	5	200
		mbar	1.5*10 ⁻¹	1.0*10 ⁻¹	8.0*10 ⁻²	5.0*10 ⁻²	2.0
		Torr	1.1*10 ⁻¹	7.5*10 ⁻²	6.0*10 ⁻²	3.7*10 ⁻²	1.5
		psi	2.2*10 ⁻³	1.5*10 ⁻³	1.2*10 ⁻³	7.5*10 ⁻⁴	2.9*10 ⁻²
Noise Level		dB(A)	61				
Leakage		mbar·l/s	1*10 ⁻⁷				
Max. Inlet/Exhaust Pressure		MPa	0.1 / 0.13				
Ambient Operation Temp.		°F	41~104				
Motor 1 phase	Power	kW	0.55			--	--
	Voltage	V	110~115 (60Hz), 200~230 (50Hz)			--	--
	Speed	rpm	1425 (50Hz), 1725 (60Hz)			--	--
	Plug		North America, Europe, UK/Ireland, India			--	--
Motor 3 phase	Power	kW	0.55			0.75	1.50
	Voltage	V	200~230 or 380~415 (50Hz), 200~230 or 460 (60Hz)				
	Speed	rpm	1425 (50Hz), 1725 (60Hz)				
Inlet/Exhaust Flange			KF25/KF16			KF40/KF16	
Dimensions	1 phase	mm	505*265*275	510*265*275	535*320*305	--	--
	3 phase	mm	505*265*275	510*265*275	535*320*305	590*320*345	590*320*345
Net Weight	1 phase	kg	21	22	32	--	--
	3 phase	kg	20	21	27	38	41
Cooling Type			Air cooled				

Safety Precautions

Be sure the inlet gas temperature must be lower than 122 °F.

GWSPS Oil free Scroll Vacuum Pump

Features & Benefits

- 100% no oil clean vacuum
- No oil back-diffusion, no oil mist exhaust, provide clean vacuum environment
- Wide product lineup
- Pumping speed covers 3–60 m³/h, limited vacuum level 1–8 Pa
- Suitable for all type of power supply around the world
- 110/220/380/460V, 50/60Hz for choose
- Low vibration, low noise
- 57–63 dB(A), smooth operation
- High efficiency, ease of maintenance
- No water cooled, no oil lubricated, no daily maintenance

Applications

Semiconductor industry

- Vacuum sputtering machine.
- IC plasma cleaning machine.
- IC plasma polishing machine.
- IC packaging machine.
- IC transmission chamber.

Photoelectric industry

- LED vacuum annealing furnace.
- Load lock/transfer chambers.
- Glove box.
- LED packaging machine.
- Liquid crystal injection and packaging.

Material industry

- Vacuum annealing furnace.
- Vacuum diffusion oven.
- 3D metal printing.
- Single crystal growth furnace.
- Microwave cleaning and microwave drying machine.
- E-beam/Laser melting.
- Vacuum degassing. Vacuum gas substitution.

Food and drug industry

- Freezing dry. Vacuum storage.

Medical equipment

- Low temperature plasma sterilizer.
- Vacuum storage.
- Dental equipment.

Energy industry

- SF6 Gas recovery machine.
- Lithium battery drying and packaging machine.

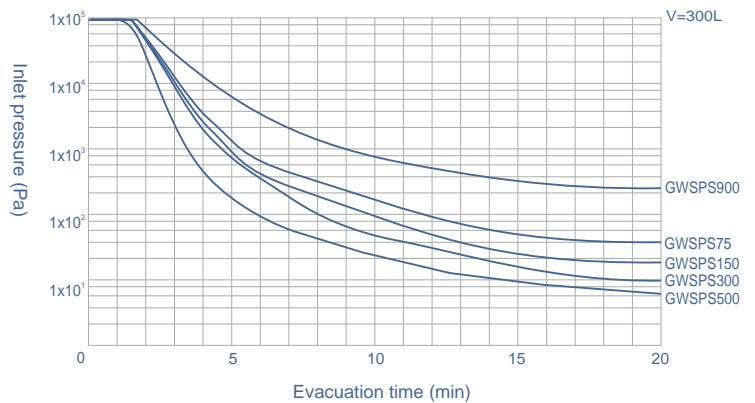
Analyzing instrument and device

- Spectroscopy/scanning electron microscopy
- Space environment simulation machine
- Helium Leak detector
- Mass spectrometer
- Cryopump regeneration
- Accelerators/synchrotrons

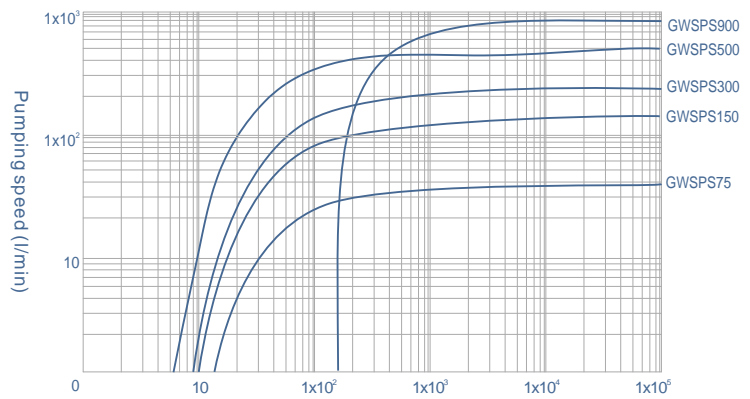
Vacuum equipment

- Oil free ultrahigh vacuum unit
- Oil free vacuum unit

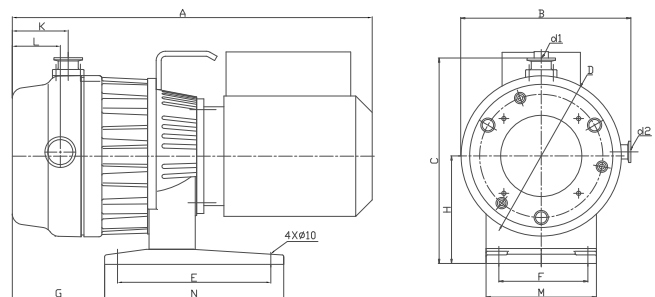
Performance Curves



Evacuation time-inlet pressure curve



Pumping speed-inlet pressure curve



Dimensions

	A	B	C	D	E	F	G	H	K	L	M	N	d1	d2
GWSPS75	505	265	275	225	215	120	125	160	80	65	200	250	KF25	KF16
GWSPS150	510	265	275	225	215	120	135	145	80	70	155	250	KF25	KF16
GWSPS300	535	320	305	255	230	160	140	165	95	85	200	270	KF25	KF16
GWSPS500	590	320	345	300	250	165	125	190	135	85	205	290	KF40	KF16
GWSPS900	590	320	345	300	250	165	125	190	135	85	205	290	KF40	KF16

GWMS Oil free Ultrahigh Vacuum Unit



Constructions

GWMS oil free ultrahigh vacuum unit is combined turbo molecular pump, gate or angle valve, connect hose, solenoid valves, vacuum meter and GWSP oil free scroll vacuum pump in an integrated unit for oil free ultra high vacuum pumping.

Specifications

Model		GWMS100/150	GWMS300/150	GWMS600/300	GWMS1200/600	GWMS1600/1000
Molecular Pump Model		FF-100	FF-300	FF-600	FF-1200	FF-1600
Scroll Pump Model		GWSP150	GWSP150	GWSP300	GWSP600	GWSP1000
Pumping Speed	l/s	110	300	500	1200	1600
	l/min	6.6×10^3	1.8×10^4	3.0×10^4	7.2×10^4	9.6×10^4
	m ³ /h	3.9×10^2	1.1×10^3	1.8×10^3	4.3×10^4	5.8×10^4
	cfm	2.2×10^2	6.0×10^2	1.0×10^3	2.5×10^4	3.4×10^4
Ultimate Pressure	Pa	1.0×10^{-5}	1.0×10^{-5}	1.0×10^{-5}	1.0×10^{-5}	1.0×10^{-5}
	mbar	1.0×10^{-7}	1.0×10^{-7}	1.0×10^{-7}	1.0×10^{-7}	1.0×10^{-7}
	Torr	7.5×10^{-8}	7.5×10^{-8}	7.5×10^{-8}	7.5×10^{-8}	7.5×10^{-8}
	psi	1.4×10^{-9}	1.4×10^{-9}	1.4×10^{-9}	1.4×10^{-9}	1.4×10^{-9}
Noise Level	dB(A)	63	63	63	63	63
Inlet/Exhaust Pressure	MPa	0.1/0.13				
Start Time	min	< 3				
Motor		1 phase / 3 phase, 220V / 380V, 50Hz / 60Hz				
Ambient Temp	°F	41 - 104				
Dimensions	mm	500*510*680	730*570*700	730*570*700	950*570*730	990*630*880
Inlet/Exhaust Flange		CF100/KF16	CF150/KF16	CF150/KF16	CF200/KF16	CF250/KF16*2
Cooling Type		Air cooled				

Features & Benefits

- Wide product lineup
- Suitable for all power supply around the world
- Create oil-free ultra high vacuum
- Limit vacuum high up to 6×10^{-7} Pa
- No oil, no pollution to pumping cavity & environment
- Low vibration, low noise and high efficiency
- Ease of maintenance

Applications

- Leak detection
- Accelerators
- Spectroscopy
- Scanning electron microscopy
- Space environment animation
- Surface analysis instruments

Safety Precautions

The GWMS series oil free ultrahigh vacuum units are suitable for clean processes only. Do not pump toxic, explosive, flammable or corrosive substances or substances which contain chemicals, solvents or particles. GEOWELL will not perform maintenance work on pumps which have used special gases or other hazardous substances. Be sure the inlet gas temperature must be lower than 122 °F.

GWSPC Oil free Scroll Vacuum Compressor



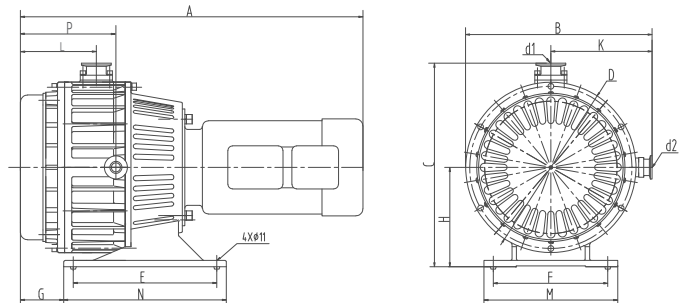
Specifications

Model			GWSPC150	GWSPC300	GWSPC600	GWSPC1000
Pumping Speed	50Hz	m ³ /h	7.2	15.5	31.3	59.8
		cfm	4.3	9.3	18.7	35.8
	60Hz	m ³ /h	8.6	18.3	37.4	71.6
		cfm	5.1	10.9	22.3	42.8
Ultimate Pressure		mbar	3.0*10 ⁻¹	2.0*10 ⁻¹	1.0*10 ⁻¹	1.0*10 ⁻¹
		Torr	2.2*10 ⁻¹	1.5*10 ⁻¹	7.5*10 ⁻¹	7.5*10 ⁻¹
Noise Level		dB(A)	57	61	63	63
Max. Inlet/Exhaust Pressure		MPa	0.1 / 0.3			
Ambient Operation Temp.		°F	41~104			
Motor 3 phase	Power	kW	0.55	1.50	2.20	3.00
	Voltage	V	200~230 or 380~415 (50Hz) 200~230 or 460 (60Hz)			
	Speed	rpm	1425 (50Hz) 1725 (60Hz)			
Inlet/Exhaust Flange			KF25/KF16		KF40/KF16	KF40/KF16*2
Dimensions		mm	460*260*270	545*310*320	605*340*350	655*400*415
Net Weight		kg	21	39	53	64
Cooling Type			Air cooled			

Applications

SF6 recovery and recirculating
Special gas recovery

Dimensions



	A	B	C	D	E	F	G	H	K	L	M	N	P	d1	d2
GWSP 150	460	260	270	220	210	120	90	135	140	110	155	250	135	KF25	KF16
GWSP 300	545	310	320	262	250	155	90	165	165	120	190	290	155	KF25	KF16
GWSP 600	605	340	350	295	300	160	105	175	175	140	210	340	165	KF40	KF16
GWSP 1000	655	400	415	355	300	160	115	195	200	135	210	340	120/65	KF40	KF16*2

Safety Precautions

The GWSPC series oil free scroll vacuum compressor are suitable for clean processes only.

Do not use toxic, explosive, flammable or corrosive substances or substances which contain chemicals, solvents or particles. GEOWELL will not perform maintenance work on compressors which have used special gases or other hazardous substances.

Be sure the inlet gas temperature must be less than 122 F.

GWT Foreline Filter

Specifications

Model		GWT25	GWT40
Operating Pressure	Pa	1~10 ⁵	1~10 ⁵
Efficiency	%	99	99
Flitting Particle Size	μm	2~5	2~5
Filter Element		Paper, or polyester	Paper, or polyester
In/Exhaust Flange		KF25/KF25	KF40/KF40
Dimensions	mm	190(L)*155(W)*145(H)	230(L)*185(W)*190(H)



Applications

Model	GWT25	GWT40
Coating	v	v
Pharmaceutical	v	v
Food	v	v
Ceramics and Glass	v	v
Vacuum Furnaces	v	v
Vacuum Packing	v	v

GWS Exhaust Silencer

Specifications

Model		GWS16	GWS25
Operating Pressure	Pa	1~10 ⁵	1~10 ⁵
Efficiency	%	99	99
Flitting Particle Size	μm	2~5	2~5
Filter Element		Paper, or polyester	Paper, or polyester
In/Exhaust Flange		KF16	KF25
Dimensions	mm	85(L)*65(W)*65(H)	105(L)*85(W)*85(H)



Applications

Model	GWS16	GWS25
Coating	v	v
Pharmaceutical	v	v
Food	v	v
Ceramics and Glass	v	v
Vacuum Furnaces	v	v
Vacuum Packing	v	v

GWMMK Major Maintenance Kit

Specifications

Model	GWMMK75	GWMMK150	GWMMK300	GWMMK600	GWMMK1000
Product suited	GWSP75	GWSP150	GWSP300	GWSP600	GWSP1000
	GSPL75	GSPL150			
		GWSPC150	GWSPC300	GWSPC600	GWSPC1000

Features & Benefits

Supper wear proof	Clean and quiet
High temperature resistance	Improve limited vacuum
Excellent abrasion resistance	Decrease noise
Self-lubricating	Improve temperature increase
Working life 1~2 year	24 hours per day continues operation
Reasonable price	



Applications

For the major maintenance of dry scroll vacuum pump and oil free scroll vacuum compressors.

GWTSK Tip Seal Kit

Specifications

Model	GWTSK75	GWTSK150	GWTSK300	GWTSK600	GWTSK1000
Product suited	GWSP75	GWSP150	GWSP300	GWSP600	GWSP1000
	GSPL75	GSPL150			
		GWSPC150	GWSPC300	GWSPC600	GWSPC1000

Features & Benefits

Supper wear proof	Clean and quiet
High temperature resistance	Improve limited vacuum
Excellent abrasion resistance	Decrease noise
Self-lubricating	Improve temperature increase
Working life 1~2 year	24 hours per day continues operation
Reasonable price	



Applications

For the major maintenance of dry scroll vacuum pump and oil free scroll vacuum compressors.

Vacuum Pump Selection Formula

$$T=(V/S) \times 2.303 \times \log(P1/P2)$$

T: exhaust time (s), V: volume (L), S: displacement (l/s), P1: initial pressure (Pa), P2: final pressure (Pa)

Example:

1. 100 liters chamber, within 10 minutes from the atmosphere evacuated to 20Pa, how to do pump selection ?

$S=(V/T) \times 2.303 \times \log(P1/P2)=(100/10) \times 2.303 \times \log(100000/20)=10 \times 2.303 \times 3.699=85(l/min)=1.42(l/s)$, choose vacuum pump of 4l/s.

2. 100 liters chamber, use 8l/s vacuum pump, pumping from atmosphere to 200Pa, how long time will be spent?

$T=(V/S) \times 2.303 \times \log(P1/P2)=(100/8) \times 2.303 \times \log(100000/200)=77s$, need 77 seconds.

Evacuation Time Estimates Empirical Formula

$$T = 8V/S$$

V: volume (L), S: displacement (l/s). This formula is suitable for the pressure scale of atmospheric pressure to estimate 133Pa.

Example:

100 liters chamber, with 8l/s vacuum pump, pumping from atmosphere to 133Pa, how long time will be spent?

$T = 8V/S$ (empirical formula) = $8 \times 100/8 = 100s$, need 100 seconds.

Unit Conversion Table of Vacuum Degree

	pa(N/m ²)	bar	mbar	torr (mmHg)	micron (mtorr)	atm	psi (lbf/inch ²)
1 pa=	1	1*10 ⁻⁵	1*10 ⁻²	7.5*10 ⁻³	7.5	9.87*10 ⁻⁶	1.45*10 ⁻⁴
1 bar=	1*10 ⁵	1	1*10 ³	7.5*10 ²	7.5*10 ⁵	9.87*10 ⁻¹	1.45*10 ¹
1 mbar=	1*10 ²	1*10 ⁻³	1	7.5*10 ⁻¹	7.5*10 ²	9.87*10 ⁻⁴	1.45*10 ⁻²
1 torr=	1.33*10 ²	1.33*10 ⁻³	1.33	1	1*10 ⁻³	1.32*10 ⁻³	1.93*10 ⁻²
1 micron=	1.33*10 ⁻¹	1.33*10 ⁻⁶	1.33*10 ⁻³	1*10 ⁻³	1	1.32*10 ⁻⁶	1.93*10 ⁻⁵
1 atm=	1.01*10 ⁵	1.01	1.01*10 ³	7.6*10 ²	7.6*10 ⁵	1	1.47*10 ¹
1 psi=	6.89*10 ³	6.89*10 ⁻²	6.89*10 ¹	5.17*10 ¹	5.17*10 ⁴	6.8*10 ⁻²	1

Unit Conversion of Pumping Speed

	l/m	l/min	m ³ /h	cft/min
1 l/m=	1	60	3.6	2.12
1 l/min=	1.67*10 ⁻²	1	6*10 ⁻²	3.54*10 ⁻²
1 m ³ /h=	2.8*10 ⁻¹	1.67*10 ⁻¹	1	5.9*10 ⁻¹
1 cft/min=	4.7*10 ⁻¹	2.83*10 ⁻¹	1.69	1

Unit Conversion of Conductance & Leakage

	pa*m ³ /s	mbar*.l.s	torr*/l/s	sccm
1 pa*m ³ /s=	1	10	7.5	5.92*10 ⁻²
1 mbar*.l.s=	1*10 ⁻¹	1	7.5*10 ⁻¹	5.92*10 ⁻¹
1 torr*/l/s=	1.33*10 ⁻²	1.33*10 ⁻²	1	7.89*10 ⁻¹
1 sccm=	1.69*10 ⁻²	1.69*10 ⁻³	1.27*10 ⁻³	1

Unit Conversion of Temperature

	K	°C	°F
1 K=	1	°C+273.15	5/9*(°F+459.67)
1 °C=	K-273.15	1	5/9*(°F-32)
1 °F=	9/5-459.67	9/5 °C+32	1

Unit Conversion of Length

	m	ft	in
1 m=	1	3.28	3.9*10
1 ft=	3.1*10 ⁻¹	1	1.2*10
1 in=	2.5*10 ⁻²	8.3*10 ⁻²	1

Unit Conversion of Weight

	kg	lb	oz
1 kg=	1	2.2	3.5*10
1 lb=	4.5*10 ⁻¹	1	1.6*10
1 oz=	2.8*10 ⁻²	6*10 ⁻²	1

Average free Path of Molecules in 43°F Air under Different Pressures

1 P(torr)=	1	10 ⁻³	10 ⁻⁴	10 ⁻⁵	10 ⁻⁶	10 ⁻⁹
1 (cm)=	4.72*10 ⁻³	4.72	4.72*10	4.72*10 ²	4.72*10 ³	4.72*10 ⁶

Molecular Density at Different Pressures

1 P(torr)=	1	10 ⁻³	10 ⁻⁴	10 ⁻⁵	10 ⁻⁶	10 ⁻⁹
1 n ₀ (psc/cm)=	4*10 ¹⁶	4*10 ¹³	4*10 ¹²	4*10 ¹¹	4*10 ¹⁰	4*10 ⁷

Why Choose GEOWELL Oil free Scroll Vacuum Pump?

GEOWELL is a leading professional manufacturer of oil free scroll vacuum pumps with over 20 years of field experience, longest performance hours and largest sales in China, GEOWELL's oil free scroll vacuum pumps are the premium choice for clean pumping technology, with the advantages of compact structure, small size, light weight and low vibration, low noise, low energy consumption, suitable for global power supply, one button start, can be frequently started and stop between atmospheric pressure and vacuum, etc..

Oil free scroll vacuum pump, also refer to as vortex pump, scroll pump, dry pump, dry scroll pump, oil free scroll pump, oilless scroll pump, dry scroll vacuum pump, oil free vortex vacuum pump, etc, is perfectly used in semiconductor equipment, photoelectric equipment, materials equipment, medical and food equipment, energy, aerospace, analyzing instruments and vacuum systems.

Oil free scroll vacuum pumps are constructed with one or two fixed scroll and orbiting scroll. The orbiting scroll is driven by motor through an eccentric shaft driven by electric motor. The movement of the orbiting scroll, meshed with the fixed scroll, forms successive crescent shaped volumes in the pump body. Gas which enters the pump through the inlet is compressed by the movement of the orbiting scroll and swept towards the center of the fixed scroll. The compressed gas enters the exhaust port near the center of the fixed scroll and is exhausted from the pump through the exhaust port as shown below:



0°(360°) gas suction



90° gas pressing



180° further compressing



270° discharging

SERVICE CENTERS



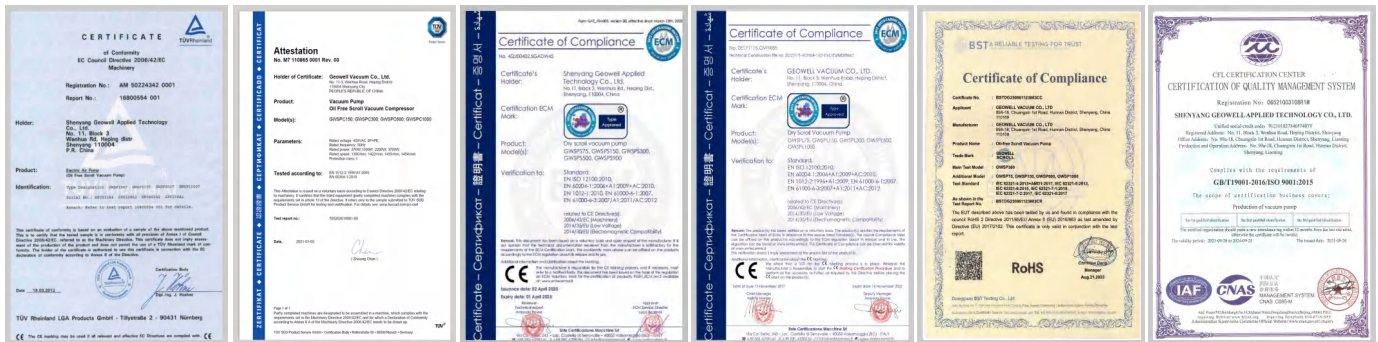


PROFILE

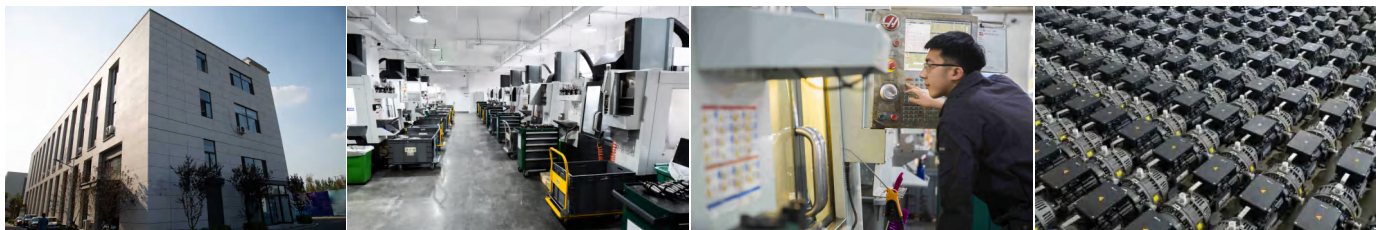
GEOWELL is a leading professional manufacturer of oil free scroll vacuum pumps and compressors with over 20 years experience of production history, longest product operation hours and largest sales in China, we GEOWELL have been providing users and partners with the premium quality products of high efficiency and dependability. Now we have more than 60 patents and proprietary technologies for oil free scroll vacuum pumps and compressors, multiple international certificates including CE, RoHS, EAC and ISO9001, annual output excess of 10,000 sets. All these helping us rank among the premium scroll pump manufacturer in the world.

CE RoHS EAC ISO9001 certified manufacturer	60+ intellectual properties
China top sales 10,000+ per year	Users from 40+ countries
Manufacturing facility 10,000+ m²	20+ service centers home and abroad

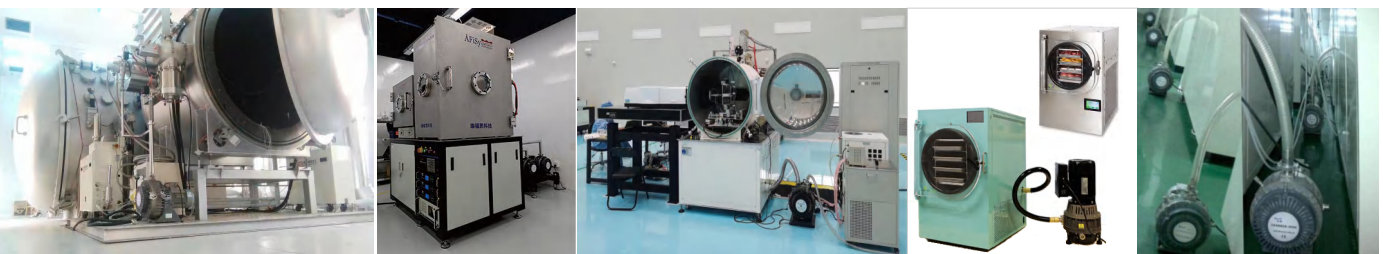
CERTIFICATES



FACILITIES



APPLICATION CASES



Add: 99A-18, Chuangxin 1st. Rd., Hunnan Distr., Shenyang, China 110169
 Tel: +86-24-83685362 Fax: +86-24-23783066
 Website: www.geowellscroll.com Email: sales@geowellscroll.com

